



## CDP-DUO

---

CDP-DUO, Dynamic power controller with dual configuration,

Code: E51002. DESCATALOGADO

### Description

---

**CDP-DUO** is the evolution of dynamic power controllers designed to control hybrid installations (powered by two alternative sources of energy). The unit measures the consumption of the user at all times, thanks to its dual configuration, regulating the inverters to adapt the solar energy generation to the type of network and/or generator installed.

The main advantage of **CDP-DUO** is that it can automatically switch the network configuration, according to the type of network.

Some of the main features of **CDP-DUO**:

- Identification of the type of network and adaptation of the regulation, according to the type of network.
- Monitoring via web (smartphone, tablet or PC)
- Datalogger and downloading of a .csv file with historical consumption data via web
- Many different regulation options via web
- Screen with consumption, PV production and network/group consumption information
- Optional use of power analyzers to increase the amount of information provided
- Modbus/TCP communications for integration in SCADA

### Application

---

- Hybrid self-consumption photovoltaic energy installations with injection control systems
- Photovoltaic energy installations with monitoring system
- Remote energy balance monitoring and recording system (with or without injection into the grid)



## CDP-DUO

Dynamic power controller with dual configuration

Code: E51002.

### Specifications

#### Mechanical characteristics

Size (mm) width x height x depth	105 x 90 x 65 (mm)
Weight (kg)	0,319

#### CDP-DUO

Dynamic Power Controller

CODE	TYPE	Description
E51002.	CDP-DUO	Dynamic power controller with dual configuration

Requires MC (.../250 mA) series current transformers

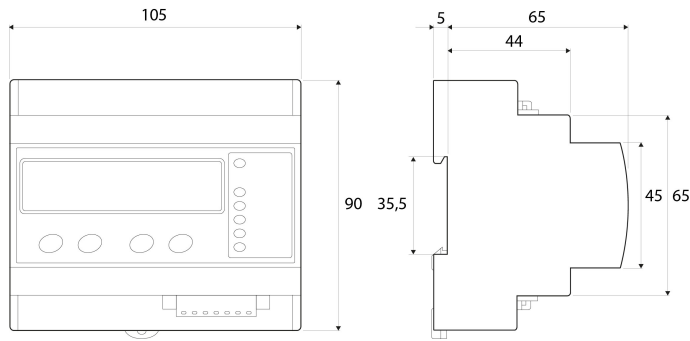


# CDP-DUO

Dynamic power controller with dual configuration

Code: E51002.

## Dimensions



## Connections

