



Kit eHome Solar T2C32 SC

eHome Solar T2C32 SC, Caixa domèstica de recàrrega

Code: V254K1. **CONSULTAR DISPONIBILIDAD**

- > Comunicacions: RS-485
- > Tipus sortida: 230 Vac - 32 A - 7,4 kW
- > Corrent d'entrada: 32 A
- > Tipus connector: Cable Tipus 2
- > Tipus xarxa: Monofàsica
- > Mode recàrrega : 3
- > N° Preses: 1

Descripció

The **eHome Solar kit** is a single-phase charging point for electric vehicles, supplying up to 7.4 kW and designed for home settings.

This solution allows users to fully utilize the excess solar energy of the self-consumption system installed to charge any brand of electric vehicle on the market in Mode 3, using a Type 2 connector.

The kit **includes Genion One**, a home manager that adjusts the electric vehicle's charging power based on the power available in the installation and that generated by solar panels. It also features an automatic energy balance system, which allows the photovoltaic installation and the charging points to be operated independently.

This solution offers added comfort, savings, peace of mind and control to users of electric vehicles who want to have a charging point and solar panels in their home.

It includes a web application to monitor and control the installation via Wi-Fi from any mobile device. Thanks to the installation wizard, up to two **eHome Solar** electric vehicle chargers can be automatically set up in the home. In addition, it includes three split-core transformers for easier installation, since it measures the consumption in the home, the photovoltaic generation and the consumption of the electric vehicles connected.

The **eHome Solar kit** is ideal for home environments, designed to be easy to install while offering a high value for the money, which makes electric vehicle charging more efficient.

Aplicació

The **eHome Solar Kit** is a solution for home environments that have photovoltaic self-consumption systems, where owners wish to install up to two simultaneous charging points.



Kit eHome Solar T2C32 SC

Caixa de recàrrega domèstica amb gestió fotovoltaica

Code: V254K1.

Especificacions

AC power supply

Input intensity	32A
Frequency	50 / 60 Hz
Type of network	1F + N + PE
Nominal voltage	230 V ~ (± 10 %)

Electrical characteristics

Cable: Connector type	Cable Tipus 2
Max. output intensity (A)	32
Charging mode	Modus 3
No. of charges	1
Max. output power (kW)	7,4
Voltage	230 V ~ (± 10 %)

Mechanical characteristics

Size (mm) width x height x depth	180 x 315 x 115 (mm)
Envelope	Plàstic ABS-PCV0 autoextinguible
Fastening	Mural, anclatge en pared per 3 punts
Weight (kg)	4

Environmental characteristics

Protection class	IP 54 / IK10 (IK 08 balissa)
Relative humidity (without condensation)	5 ... 95%
Operating temperature	-30°C ... +50°C

Prestacions

Adicionals	Gestor intel·ligent de recàrrega amb energia solar (Genion One)
------------	--

User interface

LED	Indicador d'estats de l'equip
-----	-------------------------------

Standards

Standards	IEC 61851-1, IEC 61851-21-2, IEC 62196-1, IEC 62196-2, Directiva 2014/35/UE, LVD; 2014/30/UE, EMC
-----------	---

Features / performance

Components	Protecció contra sobretemperatura
------------	-----------------------------------

Comunicació sèrie



Kit eHome Solar T2C32 SC

Caixa de recàrrega domèstica amb gestió fotovoltaica

Code: V254K1.

Tecnologia / Tipus

RS-485

eHome Solar

Caixes de recàrrega i gestor domèstic mitjançant excedents solars

CODI	TIPUS	Tipus sortida	Tipus connector	Tipus xarxa	Comunicacions
V25430.	eHome Solar T2C32	230 Vac - 32 A - 7,4 kW	Cable Tipus 2	Monofàsica	RS-485
V254K1.	Kit eHome Solar T2C32 SC	230 Vac - 32 A - 7,4 kW	Cable Tipus 2	Monofàsica	RS-485

Indicació lluminosa de fi de càrrega. Inclou [Genion One](#). Pes: 4 kg. Embolcall de plàstic ABS-PVCO autoextingible - IP54 - IK10, Dimensions 315x180x115 mm. Longitud de cable de 5 m.

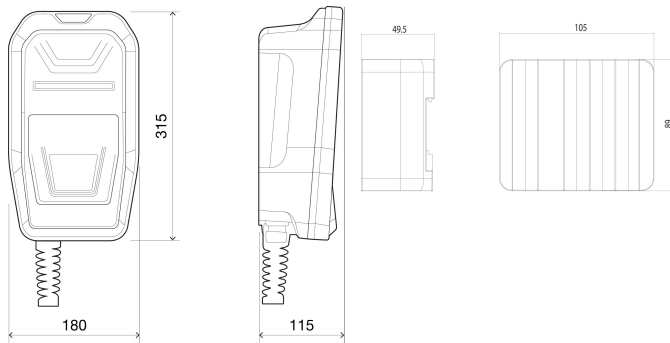


Kit eHome Solar T2C32 SC

Caixa de recàrrega domèstica amb gestió fotovoltaica

Code: V254K1.

Dimensions



Conexions

Compatible con tu inversor solar
Compatible with your solar inverter

