



WB-220x105

WB-220x105-TB

Code: P13110.

> Diàmetre interior (mm): 220 x 105

> Cable (m): -

> In (A): 1250

Especificacions

AC power supply, insulation

Pulse test (kV)	3 kV
-----------------	------

Mechanical characteristics

Size (mm) width x height x depth	314 x 195 x 54.2 (mm)
Envelope	Policarbonat autoextingible UL 94 V0
Fastening	Carril DIN amb accesoris
Connection type	Terminal cargolable (tipus cargol Pz)
Weight (kg)	3,9

Environmental characteristics

Protection class	IP 20 (Terminals) IEC 60529
Relative humidity (without condensation)	5 ... 95 %
Operating temperature	-20 ... + 70 °C

Current measurement circuit

Dynamic current (Idyn)	2,5 Ith
Permanent thermal current (Icth)	60 A
Thermal short-circuit current (Ith)	1,8 kA / 1s
Transformation ratio	30 / 0,06 A
Maximum operating voltage (Um)	720 V

Standards

Electrical safety, Maximum height (m)	2000
Electrical safety, Installation category	CAT III

Measurement accuracy

Accuracy	10 ... 15 %
----------	-------------

WB

Transformador diferencial per a relé de tipus B

CODI	TIPUS	Diàmetre interior (mm)	Cable (m)	In (A)
Només per a RGU-110B				
P13110.	WB-220x105	220 x 105	-	1250



WB-220x105

Transformador diferencial per a Relé diferencial tipus B

Code: P13110.

CODI	TIPUS	Diàmetre interior (mm)	Cable (m)	In (A)
P13111.	WB-350x150	350 x 150	-	2000
P13112.	WB-500x200	500 x 200	-	4000

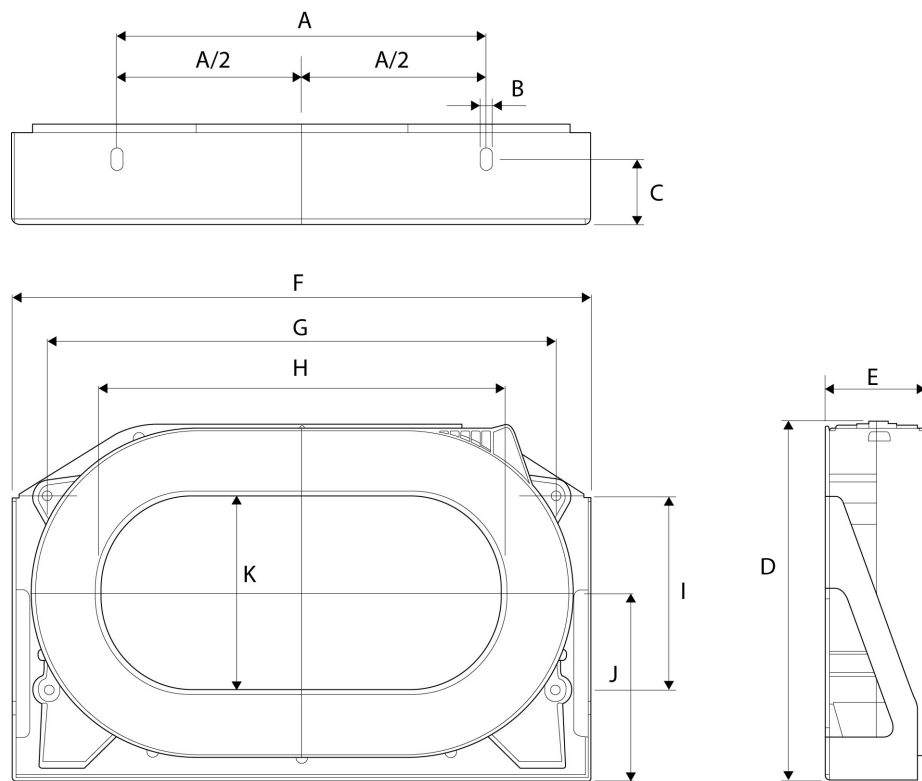


WB-220x105

Transformador diferencial per a Relé diferencial tipus B

Code: P13110.

Dimensions



Type	A	B	C	D	E	F	G	H	I	J	K
WGC 220x105	200	7	35	195	54,2	314	275	220	105	102	105
WGC 350x150	340	7	30	279	50,2	479	430	350	165	143	150
WGC 500x200	460	7	40	306	64	614	550	500	180	155	200